

1504. 00

Instruction Manual

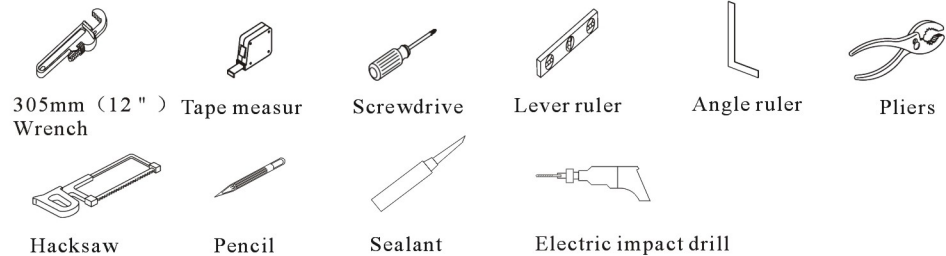


Thank you for your choosing of our computer shower box series products. Our products provide multi function including steam bath, massage, shower etc, giving your sanitary, practical, convenient, and pleasurable and comfortable experience.

Before installation and use, please carefully read this manual and keep this manual properly.

We are devoting ourselves to improve product quality, keeping the pace with the world and introducing new products always. When the products are updated, it will be subject to change without notification.

Tools for installation



Attention for installation

● The products have to be installed by professional people, and the installation has to be read carefully.

● Observed the local rules of pipeline and construct

△ Caution: avoid getting hurt. Please uplift or move bathtub with someone's help.

△ Caution: avoid breakage of products and accessories. Please don't use the bathtub edge to support something. Provide enough support on the feet.

● Make sure the floor can bear the weight of bathtub, water and 2 people at least

● Open the package and check the product. If there were any problem, please contact with franchiser.

● The bathtub installations have to be on the level floor with enough holding capability.

● This installations instructions suit for products whole install. Please install the products according to the instructions.

● Install the drain tube on the bathtub according to the water outlet installation. Traps are not used in this time.

● Make sure the water outlet and drain tube.

● Check all the water pipe at the right place, close flow pipe, check if there were leakage.

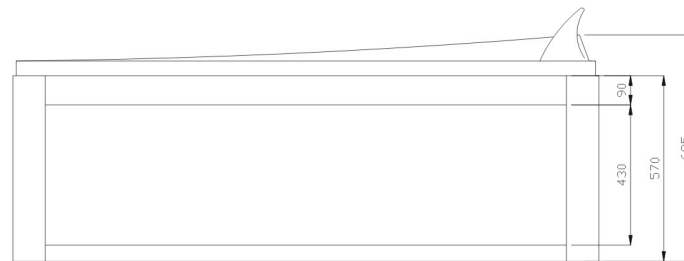
● Connect drain tube under the bathtub with sewage drainage, make sure drainage work smoothly, no blocked. Insert at least 150mm length tube into the sewer pipe, the distance from the sewer pipe hole to the bathtub drain tube hole no more than 300mm.

● To avoid damage of bathtub, put the bathtub into the caron before you preparing to install. And cover the bathtub with cloth or other related materials during the installation time. Put the cloth or others under the bathtub, be careful do not scratch the bathtub surface. Diameter of drain tube is 40mm.

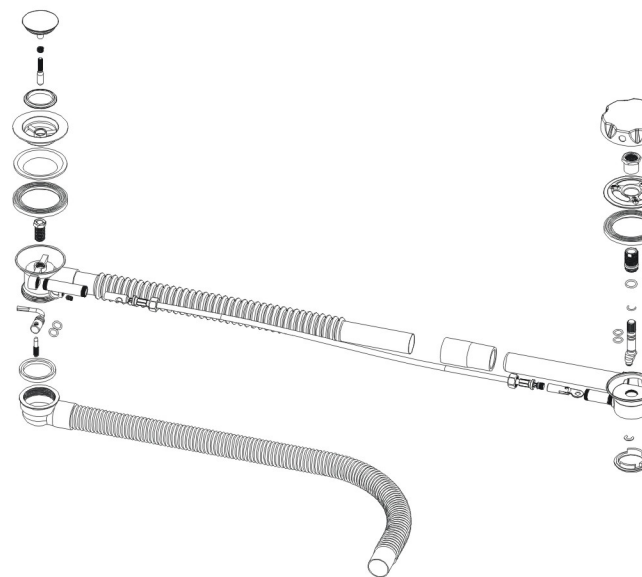
● To avoid rust staining, iron things cannot put in the bathtub. Rust staining can be cleaned by toothpaste.

● Strongly acidic and alkaline have to be avoided.

Picture: Unit: mm

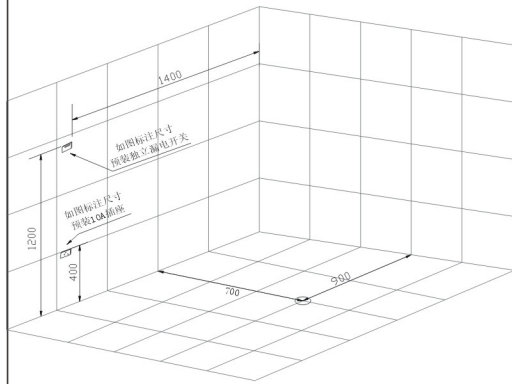


Picture2: drainage system profile

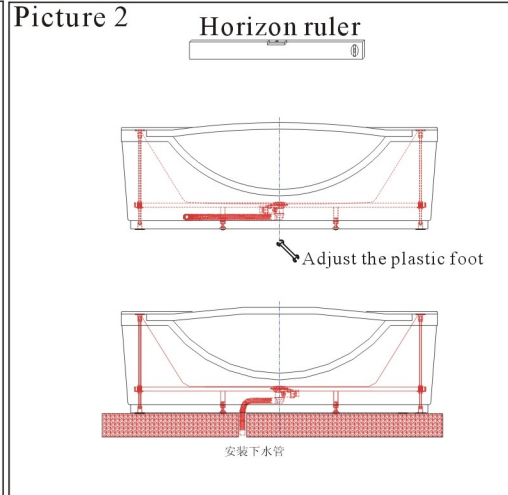


Site preparation for installation

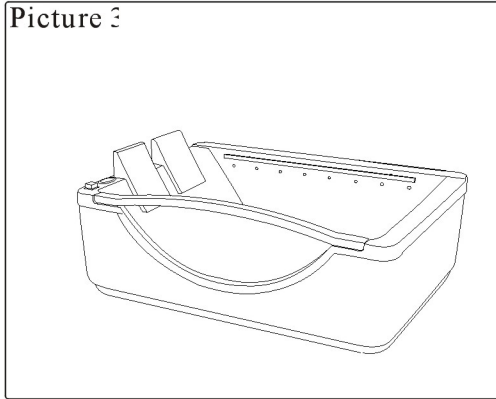
Picture 1



Picture 2



Picture 3

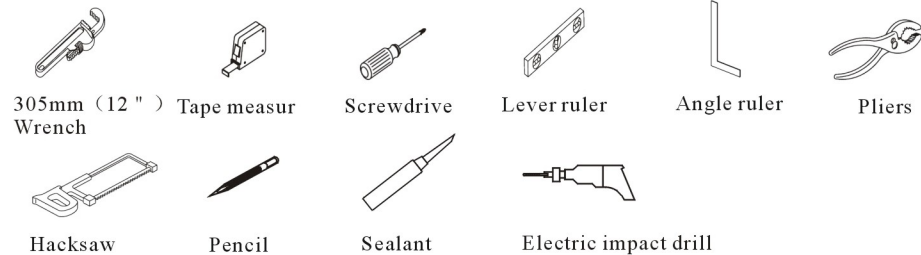


Picture 3(2)



Special grounding line with the equipment

Tools for installation



3

2. According to the dimensions as picture 1, mark the location to reserve the drainage, hot and cold water supply pipe and 15A plug.

3. As picture 2, use the horizon ruler to level the bathtub and adjust the screw install the drainage pipe to the floor drains.

4. According to the picture 3, connect well the hot and cold water pipe. Make all the electric lines to the ground line! (attention). Check the accuracy and install them on the bathtub according to the instruction. First, install the hand shower, then put the dreaming pillow.

5. And turn on the power to feel the whole function of the bathtub and check whether runs well.

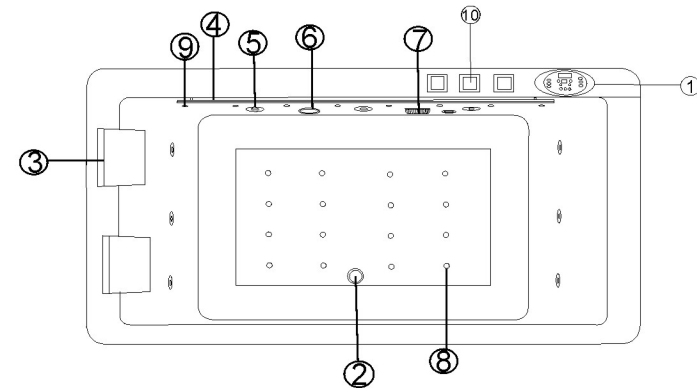
1. Electrical specifications

Supply power		Massage pump		Air pump		Thermostat	
Voltage	Frequency	Rated power (W)	Rated current (A)	Rated power (W)	Rated current (A)	Rated power (W)	Rated current (A)
AC220-240V	50HZ \ 60HZ	750W \ 900W	3.5 \ 4A	200W \ 300W	0.9 \ 1A	1500W	6.8A

2. Water specifications

Mpa	L/min	Hot/cold water	Siphon/drainage
0.2-0.4	8-12	G1/2	G1/2

Function instruction



① FM computer control panel

⑥ Under water colorful lamp

② Semi-automatic siphon

⑦ Back water net

③ Comfortable pillow

⑧ Air bubble

④ Stainless steel handrail

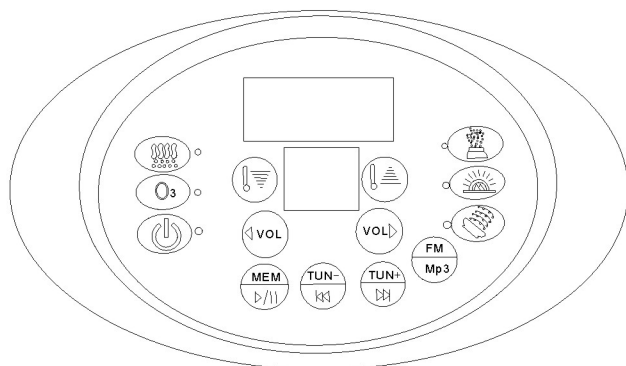
⑨ Colorful LED lights

⑤ Middle massage jets

⑩ Faucet

4

Function instruction



On/off



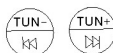
O3



Heater Switch



Temperature set



Audio set



Volume set



FM



Channel



Air massage



Underwater lamp



Water massage

Trouble shooting

Trouble	Possible causes	Solutions
No powersupply	Looseness of plug	Insert plug fitmly
	Trip of leakage switch	Check and eliminate the trouble,the nconnect leakage switch
	Fuse blown	Replace the fuse
No light	Bad connected of electric cabiner and lamo	Check connect
	Malfunction of light	Replace light
Out of control	Display box and electric cabinet disconnect when it on	Check connects of display box and eleotric cabinet, power cut firs,then power up and reboot.
Failure of whirlpool pump	AMP power plug was damaged	Reinsert the AMP power plug or change it
	Pump not work when water stressed	Check the water level sensor
	Impeller blocked or air in pump	Clean or change
	Display box key control lose eddicacy	Change display box
Noiseless of FM	Impeller broken or air in pump	Change impeller or exhaust
	ON or line fault	Reset or check speaker
No loudspwaker	Channel and volurme closed	Turn on the channel and adjust volume
	No signal or wakness signal	Change the directi on of antenna lead then search the channel
Failure of phone	Notin CD condition	Change to CD condition
	Failure of audio	Change the audio or reinsert
Failure of remote	Telephone line is not OK	Check the connect
	Speaker blocked	Clean
	Angle of remote signal is not right,not aim the receive window	Aim the receive window
Water leakage at water tube	Magnetic force disturb	Change to hand control
	Low battery	Change battery
	Malfunction of sealing	Replace sealing
Failure of sprayer	Bad connection at joint	Replace connection joint
	Break of water tube	Replace water tube
	Improper position of water isolating valve	Turn the valve to proper position
	Valve jammed	Replace clean up valve core
	Break of water tube	Replace water tube

Cleaning and maintenance

Washing agent and soft cloth can be used to daily cleaning. Acetone and aqueous or something included those are forbidden.

Mathanal and formic acid cannot to disinfect bathtub,

Polishing compound can be used to polishing the surface of bathtub.

Use toothpaste and soft cloth to clean the dirt. To clean the calcareous, use the soft cloth with lemon juice or vinegar, at the warm condition is better.

Light scratch or abrasion of surface, use 1500# waterproof abrasive paper first, and then use 2000# waterproof abrasive paper to polish the abrasion place, the last step is polished by polishing paste with soft cloth.

Avoid any abrasiveness cleaning products to clean bathtub, it will hurt bathtub.

One year limited warranty

Bathtub product and accessories--one year limited warranty

Quality assurance valid one year from purchase date. We will solve the quality caused problem for free. We have rights and duties to decide repair, replace, or adjust.

The warranty here, include products, limited in warranty period. We are not take any responsibility for any broken after warranty period. Warrant are not included deface, or default and not install according to instruction made problem.

Please contact seller for warranty service, and you can also mail to us with your sale invoice.